



Leading MBS Technology
for Technology Leaders

SIMPACK Drivetrain

APPLICATION

SIMPACK Drivetrain is an application primarily used for simulating drivetrains within the automotive, wind turbine and railway sectors, but can also be applied to any field of engineering where power transmission is required.

Applications

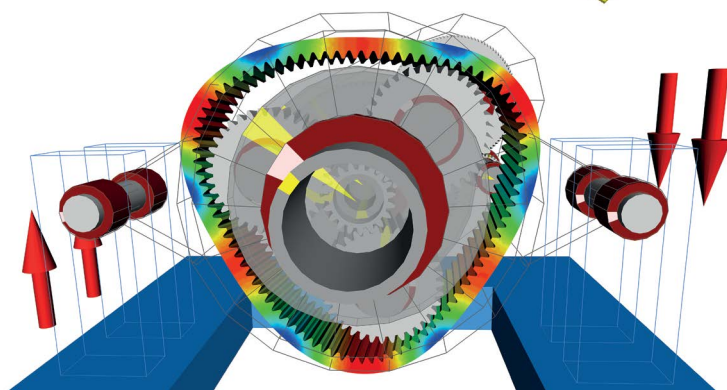
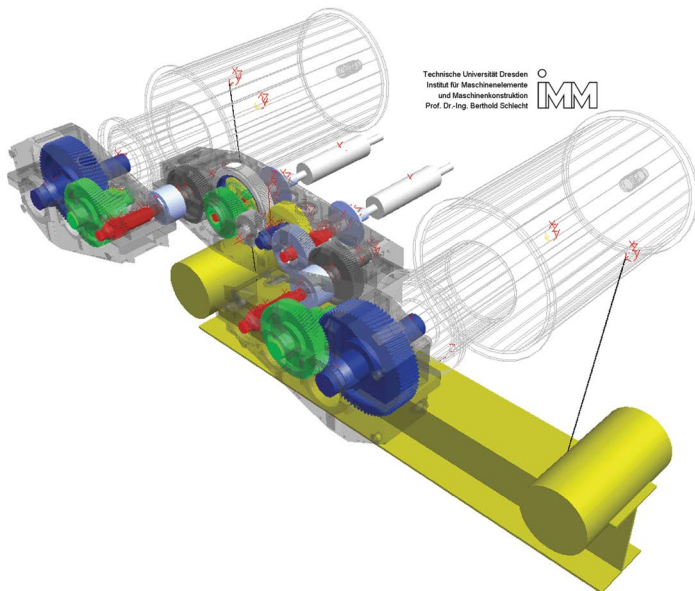
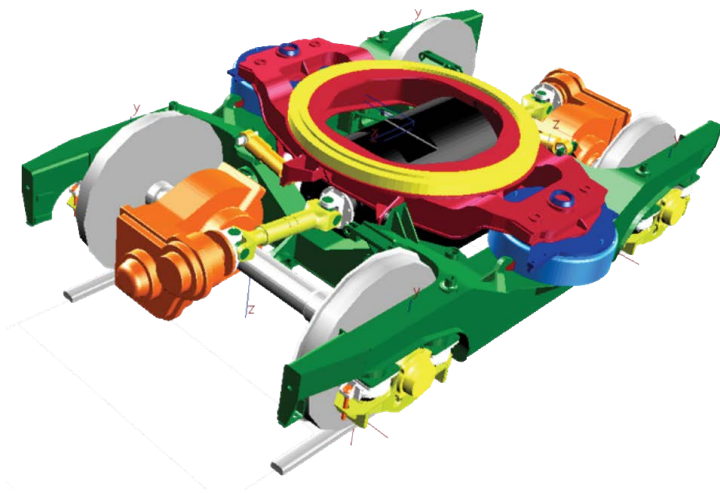
- System simulation of any embedded drivetrain design
- Resonance analysis
- Stochastic and transient response
- Gear whine and rattle
- Optimization
- Stress and durability analysis
- Hardware/software-in-the-loop

Highlights

- Simulation of any design
- Flexible gear wheels
- Extreme non-linear system behavior, e.g. emergency braking
- Acoustic analyses in the frequency and time domain
- Interfaces to third party software
- Numerous possible levels of fidelity
- Batch jobs and automatic analysis reports

Features

- Drivetrain specific elements:
 - Universal/Cardan and constant velocity elements
 - Bearings, elastomeric and hydro mounts
 - Gearboxes (gear shift, differential, planetary, etc.)
 - Detailed gear pairs (individual tooth contact)
 - Flywheels, clutches and synchromeshes
- Flexible body generation within SIMPACK
- Importation of flexible bodies from FEM codes
- Non-linear bending
- Easy implementation of user specific code



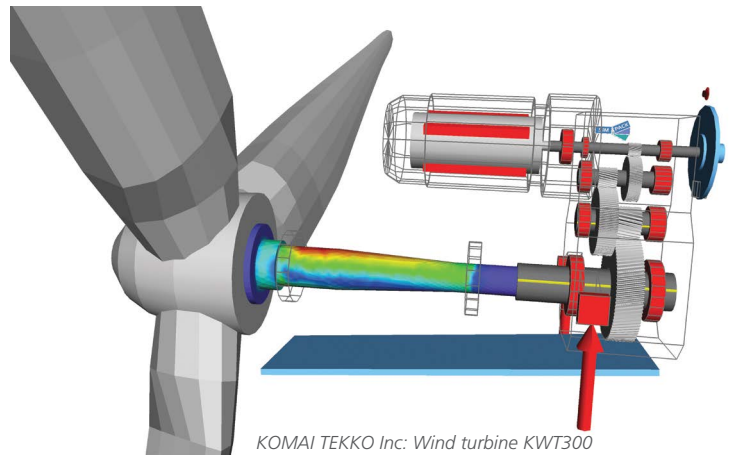
Interfaces to

- FEM software
- Control software
- CAD software
- CFD software
- Fatigue analysis software
- Aerodynamic codes
- Optimization tools

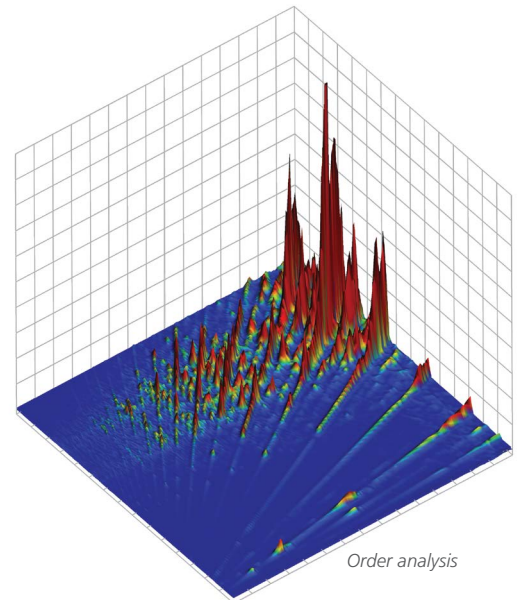
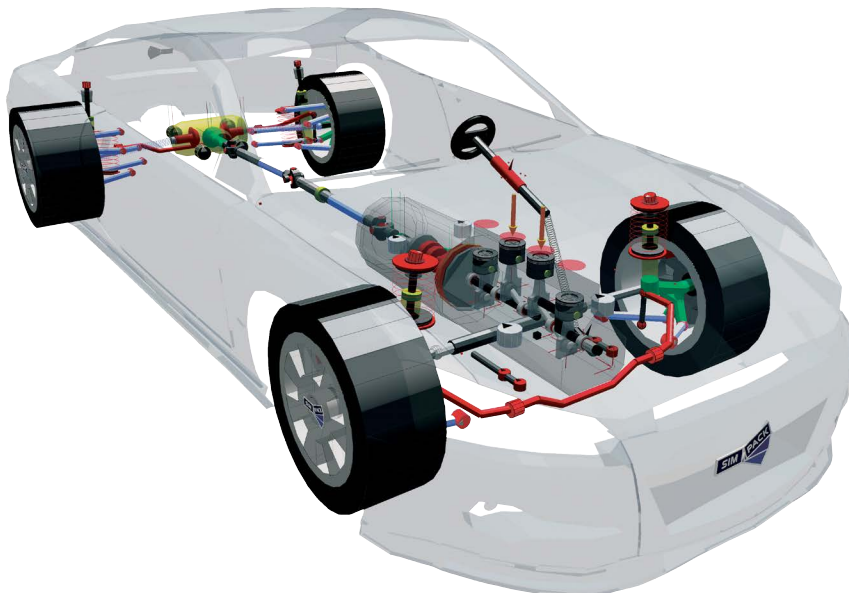
Operating Systems

- Windows and Linux.

See: www.simpack.com/platforms.html



KOMAI TEKKO Inc: Wind turbine KWT300



Order analysis

SIMPACK CUSTOMER SOLUTION CENTERS:

GERMANY HEADQUARTERS

SIMPACK GmbH
Friedrichshafener Strasse 1
82205 Gilching
Germany
Phone: +49 8105 77266-0
Fax: +49 8105 77266-11
info@SIMPACK.de
www.SIMPACK.com

USA

SIMPACK US Inc.
Dassault Systèmes SIMULIA Corp
900 North Squirrel Road, Suite 100
Auburn Hills, Michigan 48326
USA
Phone: +1 313 827-5500
Fax: +1 313 323-0149
Mobile: +1 251 923 9566
Robert.SOLOMON@3ds.com
www.SIMPACK.com

GREAT BRITAIN

SIMPACK UK Ltd.
The Whittle Estate
Cambridge Road
Whetstone
Leicester LE8 6LH
UK
Phone: +44 116 275 1313
Mobile: +44 7767 416 656
info@SIMPACK.co.uk
www.SIMPACK.com

JAPAN

SIMPACK Japan K.K.
21F ThinkPark Tower
2-1-1 Osaki
Shinagawa-ku
Tokyo 141-6020
Japan
Phone: +81 3 4321-3522
Fax: +81 3 4321-3543
info@SIMPACK.jp
www.SIMPACK.jp

FRANCE

**SIMPACK France S.A.S. /
Dassault Systèmes**
20 Boulevard Eugène Deruelle
Immeuble Le Britannia
69003 Lyon
France
Phone: +33 4 7214 1683
Mobile: +33 673 881 965
info@SIMPACK.fr
www.SIMPACK.fr



For SIMPACK Distributors please go to
www.simpack.com/contact.html